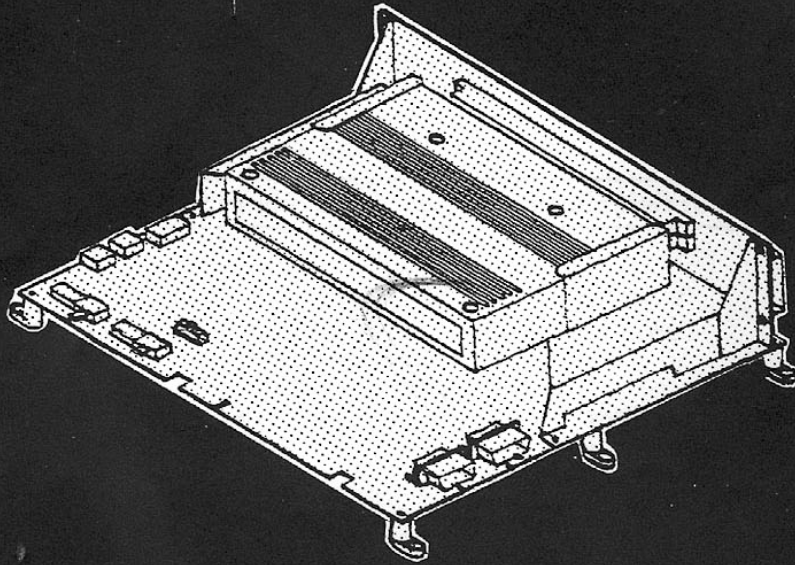


NEO·GEO[®]

SERVICE
MANUAL

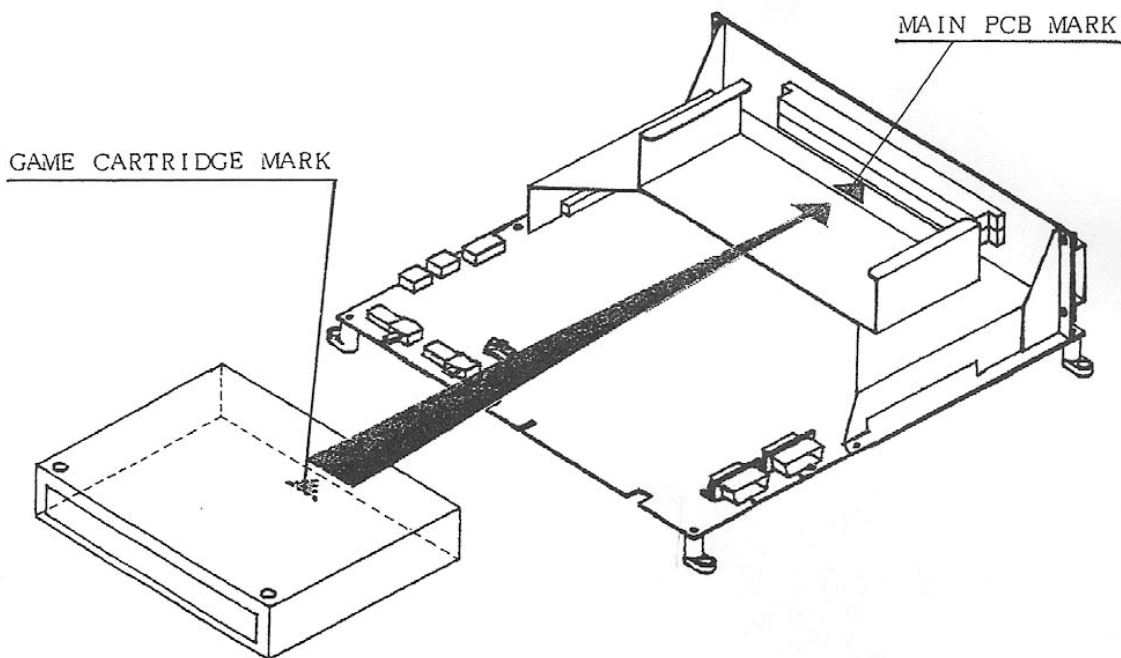
MV-1F



SNK

WARNING

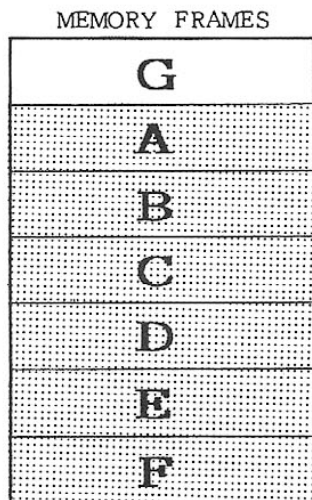
1) Make sure the game cartridge is installed with the markings matching the main board.



Mark on cassette should be down side when inserted.

- 2) Make sure the power is off when you insert or remove the cartridge. Make sure the cartridge is firmly inserted in the slot or it will not work properly.
- 3) Do not put any electric conductive materials on or in the slots.
- 4) Do not insert any other cartridge than the MVS cartridge with the 240 pin connector
The NEO GEO Rental System cartridge will not fit on this connector!
- 5) MVS preserves the income data of max 8 games even the power is off or the game cartridges are removed from PCB.

For example: 6 cartridges has been used, A,B,C,D,E, & F on the MVS. If new game title G is used, the data for A,B,C,D,E, & F will still remain.



○ SOUND OUT PUT

- In case of monaural cabinet (one speaker)

Connect to the 56 pins edge connector.
Put "MONO/STEREO" SWITCH into monaural position.

- In case of stereo cabinet (two speakers)

Connect to the 4 pin connector (CN2) of speaker out put on the P.C.B.

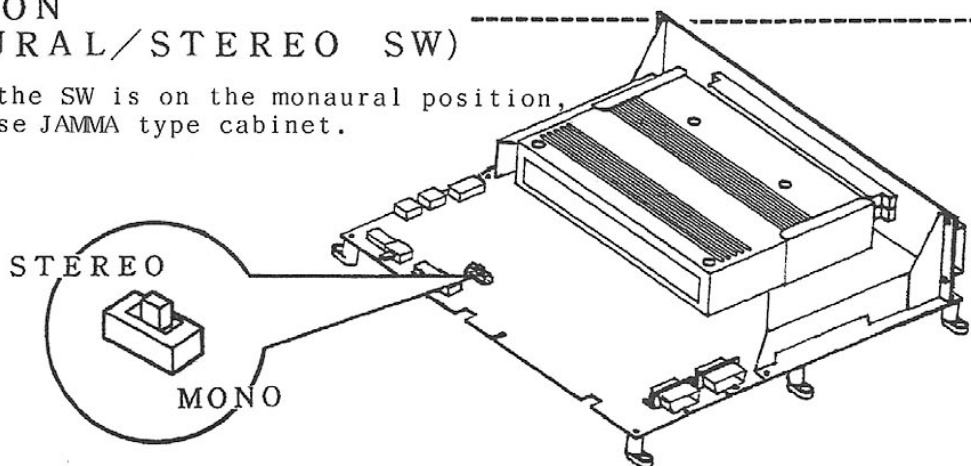
Put "MONO/STEREO SWITCH" into stereo position.

(Note)

Don't connect stereo and monaural speaker at same time.

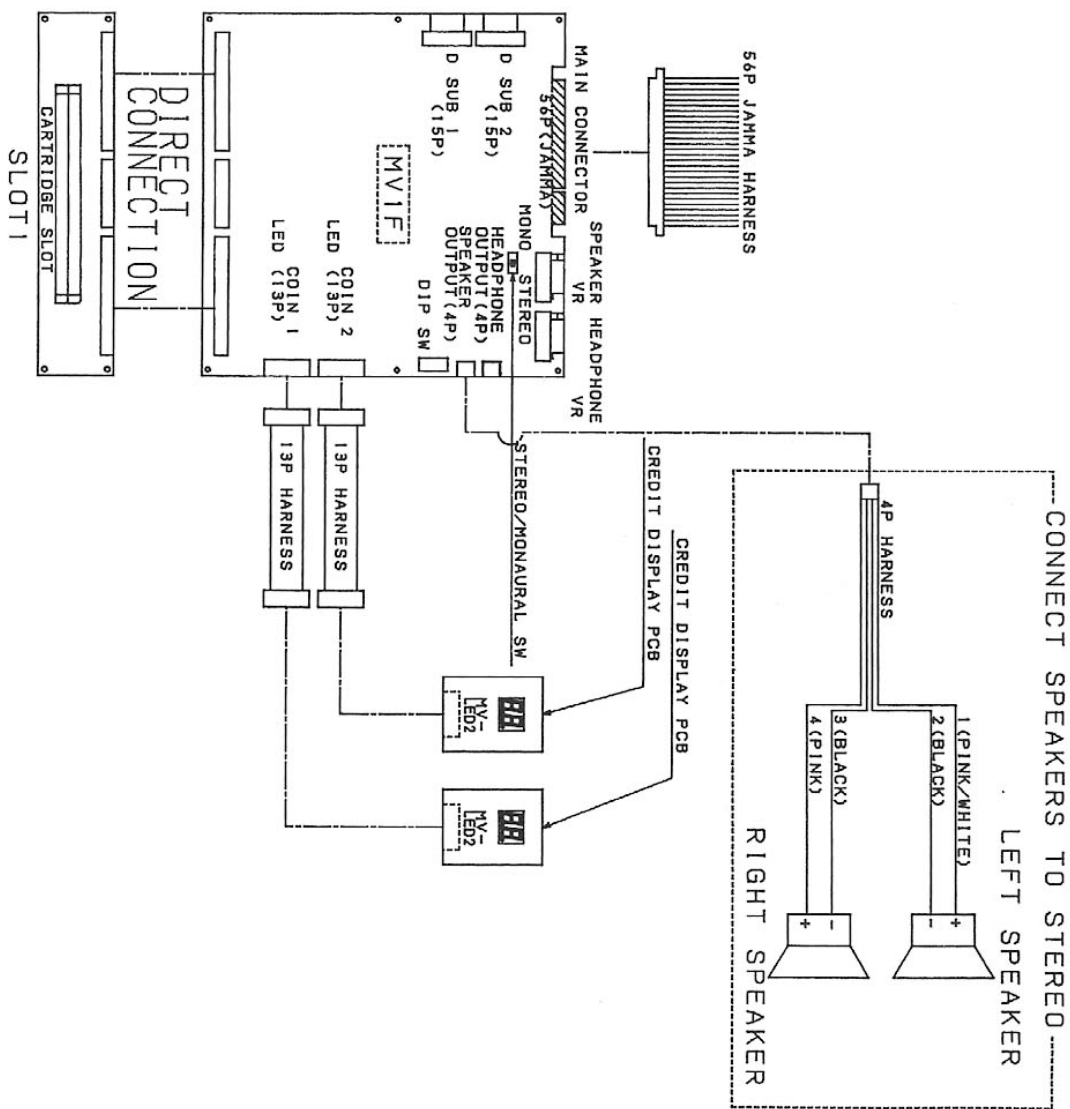
○ CAUTION (MONAURAL/STEREO SW)

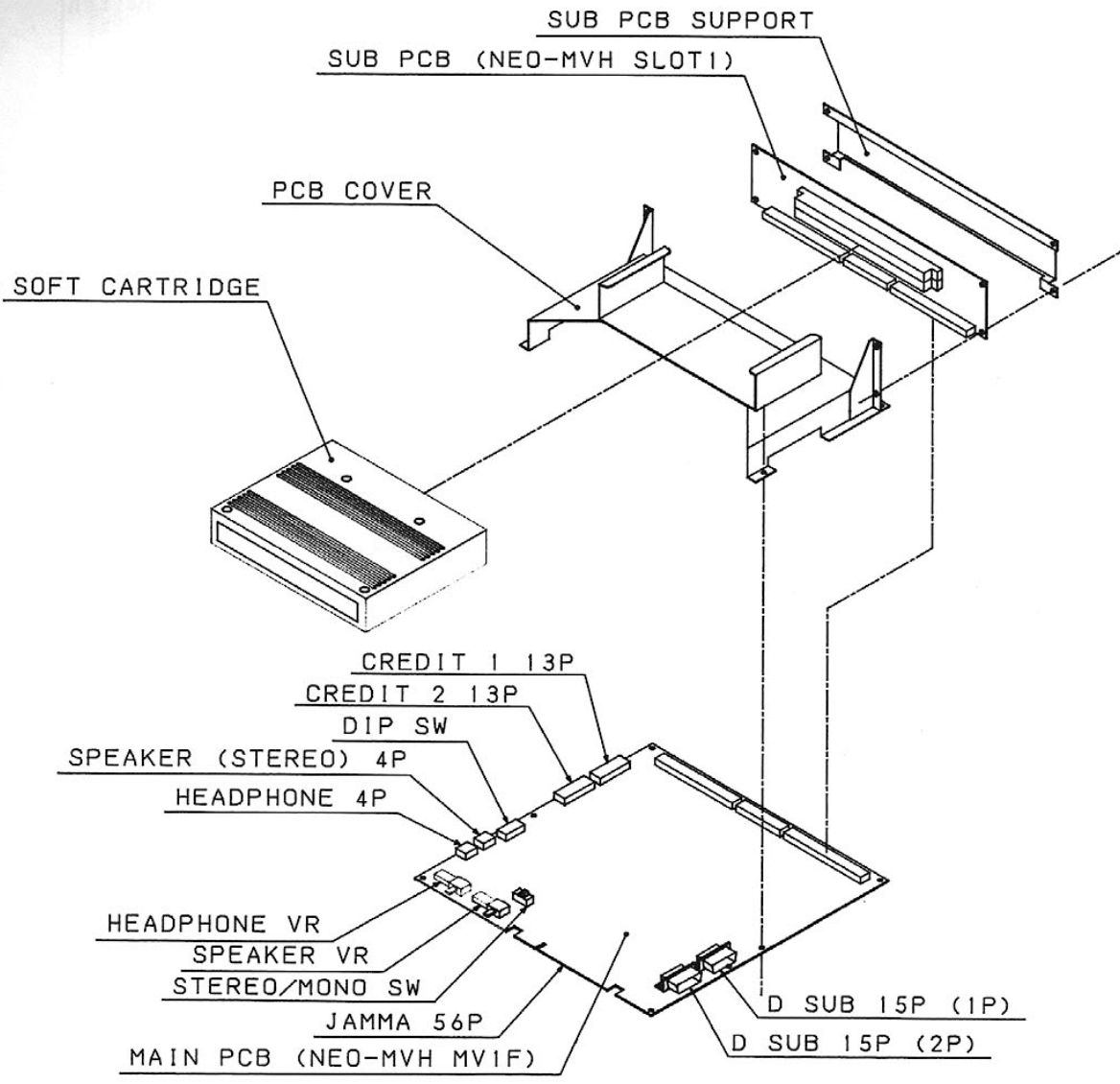
Make sure the SW is on the monaural position, when you use JAMMA type cabinet.



Note) It may cause trouble on P.C.B. by miss-setting.

OP. C. B. COMPONENT





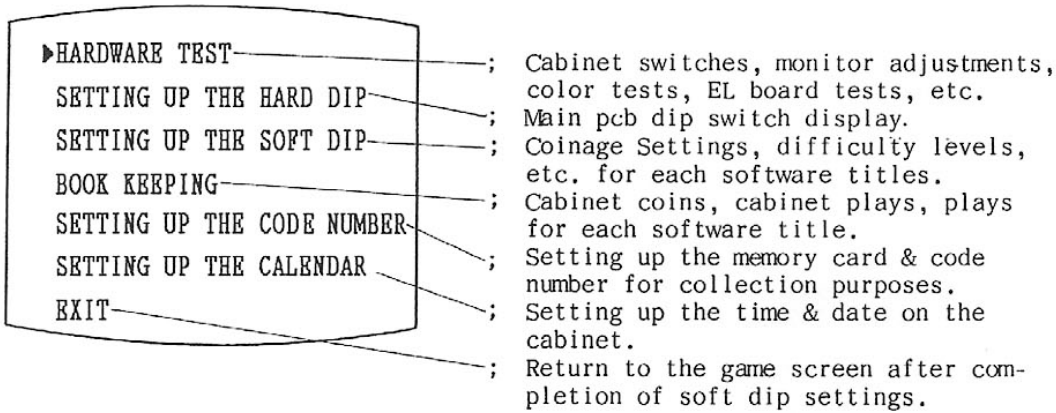
OMODE SETTING

The MVS (Multi Video System) enables the dip settings to appear on the monitor instead of the dipswitch settings on conventional pcbs. It allows you to obtain collection information, game times, etc. The following are the directions on how to operate and choose settings:

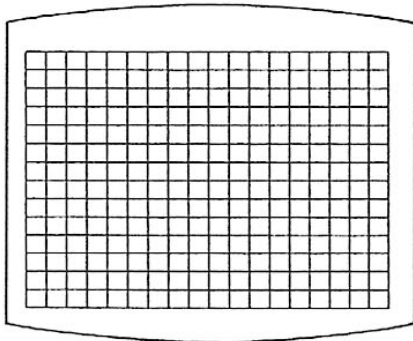
How to operate: After turning the power on, press the test switch inside the cabinet.

- ☞ Move the cursor to your selection with the joystick and press "A" button.

MAIN MENU



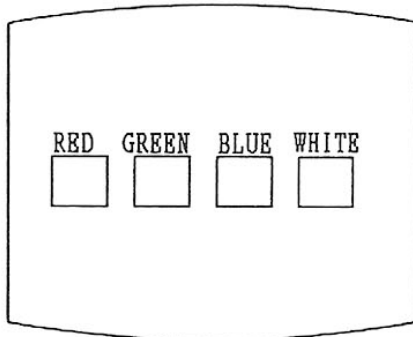
HARDWARE TEST



; Cross Hatch



- ☞ Press the 1 player start button



- ☞ Use this screen to adjust the color on the monitor



- ☞ Press the 1 player start button

I/O CHECK					
	P1	P2	12345678		
UP	0	0	00000000		
DOWN	0	0			
LEFT	0	0			
RIGHT	0	0	COIN1	0	
PUSH1	0	0	COIN2	0	
PUSH2	0	0	SERVICE	0	
PUSH3	0	0	TEST	0	
PUSH4	0	0	EL LED1 LED2		
START	0	0	0 00 00		
SELECT	0	0			



SOUND TEST

SOUND OFF

RIGHT

LEFT

CENTER



MEMORY CARD TEST

※ INSERT MEMORY CARD



BACKUP CLEAR

OK=PUSH A, B, C BUTTON

- ☞ With the dipswitch "on" the number 1 appears on the screen. With the dipswitch "off" the number 0 appears on the screen.
- ☞ Disregard the part of "EL"
- ☞ Check if the number of LED 1 is the same as displayed on the LED on the control panel.

☞ Press the 1 player start button

☞ In the case of JAMMA, they will output on the same speaker as of right, left, center "Sound Test"

☞ The area in red on the monitor moves from "sound off" to "center" by moving the joystick up and down.

RIGHT Sound comes out the right side speaker

LEFT Sound comes out the left side speaker

CENTER Sound comes out both speakers

☞ Press the 1 player start button

※Memory Card Function is not

provided on MV - 1 F

Go to next step disregarding messages

☞ Press the 1 player start button

☞ When you press the A, B, & C buttons simultaneously, you will clear the data.



☞ Press 1P button to start

```

SETTING UP THE CALENDAR
CURRENT TIME
17/ 2/90 SAT
19:30:41
THE TIME TO BE SET UP
A BUTTON, JOYSTICK=SELECT
17/ 2/90 19:30:41

```

☞ Red number is changeable. Increase number with "A" button, decrease number with "B" button. Press "D" button when finished with setting.

☞ Press 1P button to start

```

RETURN TO CROSS HATCH

```

HARD DIP SETTING

```

SETTING UP THE HARD DIP
12345678
SETTING MODE 1..... ON
COMMUNICATION ...000.. OFF
FREE PLAY .....0. OFF
COIN SWITCH ..0..... 2
STOP MODE .....0 OFF
0=OFF 1=ON

```

☞ Shows present state of dipswitch.

SETTING UP THE SOFT DIP

```

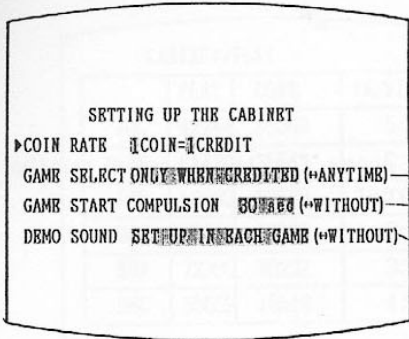
▶SETTING UP THE CABINET
SLOT1 NAM-1975
SLOT2 BASEBALL STARS
SLOT3 MAHJONG
SLOT4 TOP PLAYERS GOLF
SLOT5 MAGICIAN LORD

```

☞ Cabinet setting

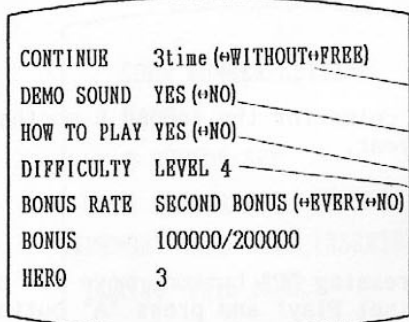
; Each software setting

↓
SETTING UP THE CABINET



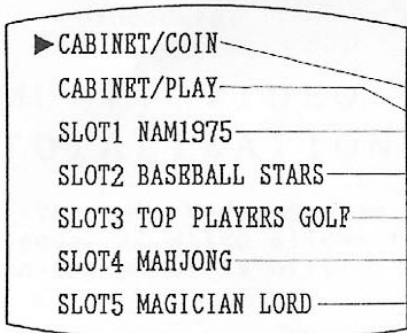
- ☞ Move cursor to "cabinet setting" and press "A" button.
- ☞ Move the cursor by joystick and increase with "A" button, decrease with "B" button.
- ☞ Disregard this
- ☞ Setting of time limitation after inserting coin. (Change with "A", "B" button)
- ☞ When "without" appears, there is no sound for any of the games. (Change with "A" button)
- ☞ Return to previous menu with "C" button. Move cursor to the game you wish to set and press "A" button.

↓
In the case of NAM-1975
(In the case of each game)



- ☞ Software dips are slightly different by game.
- ☞ ; Set number of continue plays.
- ☞ When there is no "demo sound" on cabinet setting, "with" will be ignored.
- ☞ ; With or without game play instructions
- ☞ ; when game starts.
- ☞ Difficulty setting. The higher the number, the more difficult.

↓
BOOK KEEPING



- ☞ Press "C" button once to return to "Soft dip menu setting". Press "C" button again to return to main menu. Be sure to press "C" button after making game selection.
- ☞ Move the cursor to "Book Keeping" with joystick and press "A" button.
- ☞ ; Total coins of cabinet
- ☞ ; Total plays, number of continue plays for the cabinet
- ☞ ; Total plays, number of continue plays for each title

↓
CABINET/COIN

CABINET/COIN			
	P1	P2	SERVICE
FEB/17	02244	0	25
FEB/16	04422	0	36
FEB/15	06633	0	47
FEB/14	08844	0	48
FEB/13	02399	0	29
FEB/12	05699	0	94

- ☞ Move the cursor to cabinet/coin with joystick and press "A" button.
- ☞ Weekly income chart.



☞ Press "A" button

CABINET/COIN			
	P1	P2	SERVICE
JAN	42244	0	25
FEB	44422	0	36
MAR	56633	0	47
APR	68844	0	48
MAY	72399	0	129
JUN	55699	9	294

Cabinet coins for the first 6 months of the year.



☞ Press "A" button

CABINET/COIN			
	P1	P2	SERVICE
JUL	42244	0	25
AUG	44422	0	36
SEP	56633	0	47
OCT	68844	0	48
NOV	72399	0	129
DEC	55699	0	294

Cabinet coins for the second 6 months of the year.

☞ After pressing "C" button, move the cursor to "Cabinet Play" and press "A" button.



☞ Press "A" button

CABINET/PLAY

CABINET/PLAY			
	PLAY	CONT.	AV. TIME
FEB/17	22	33	5:20
FEB/16	44	55	6:20
FEB/15	66	77	7:20
FEB/14	88	99	8:20
FEB/13	23	32	9:20
FEB/12	56	55	4:20
FEB/11	11	88	5:20



☞ Press "A" button

CABINET/PLAY			
	PLAY	CONT.	AV. TIME
JAN	42244	33363	5:20
FEB	44422	35543	6:20
MAR	56633	37773	7:20
APR	68844	39983	8:20
MAY	72399	33232	9:20
JUN	55699	15519	4:20



☞ Press "A" button

CABINET/PLAY			
	PLAY	CONT.	AV. TIME
JUL	42244	33363	5:20
AUG	44422	35543	6:20
SEP	56633	37773	7:20
OCT	68844	39983	8:20
NOV	72399	33232	9:20
DEC	55699	15519	4:20

☞ Retrieve book keeping information for each software title the same way as "Cabinet Coin" & "Cabinet Play".



SETTING UP THE CODE NUMBER

CODE NUMBER SETTING
 2408
 D BUTTON:SET
 CODE NUMBER WILL BE SET INTO
 *MEMORY CARD WHEN INSERTED
 DURING THIS MODE.

☞ After pressing the "C" button twice, return to the main menu. Press "A" button after selection CODE NUMBER SETTING with the joystick.

☞ Increase numbers with the "A" button. Decrease numbers with the "B" button. Use the joystick to move left to change selected numbers. Set Code Number Setting with the "D" button.

※Memory Card Function is not provided on MV-1 F

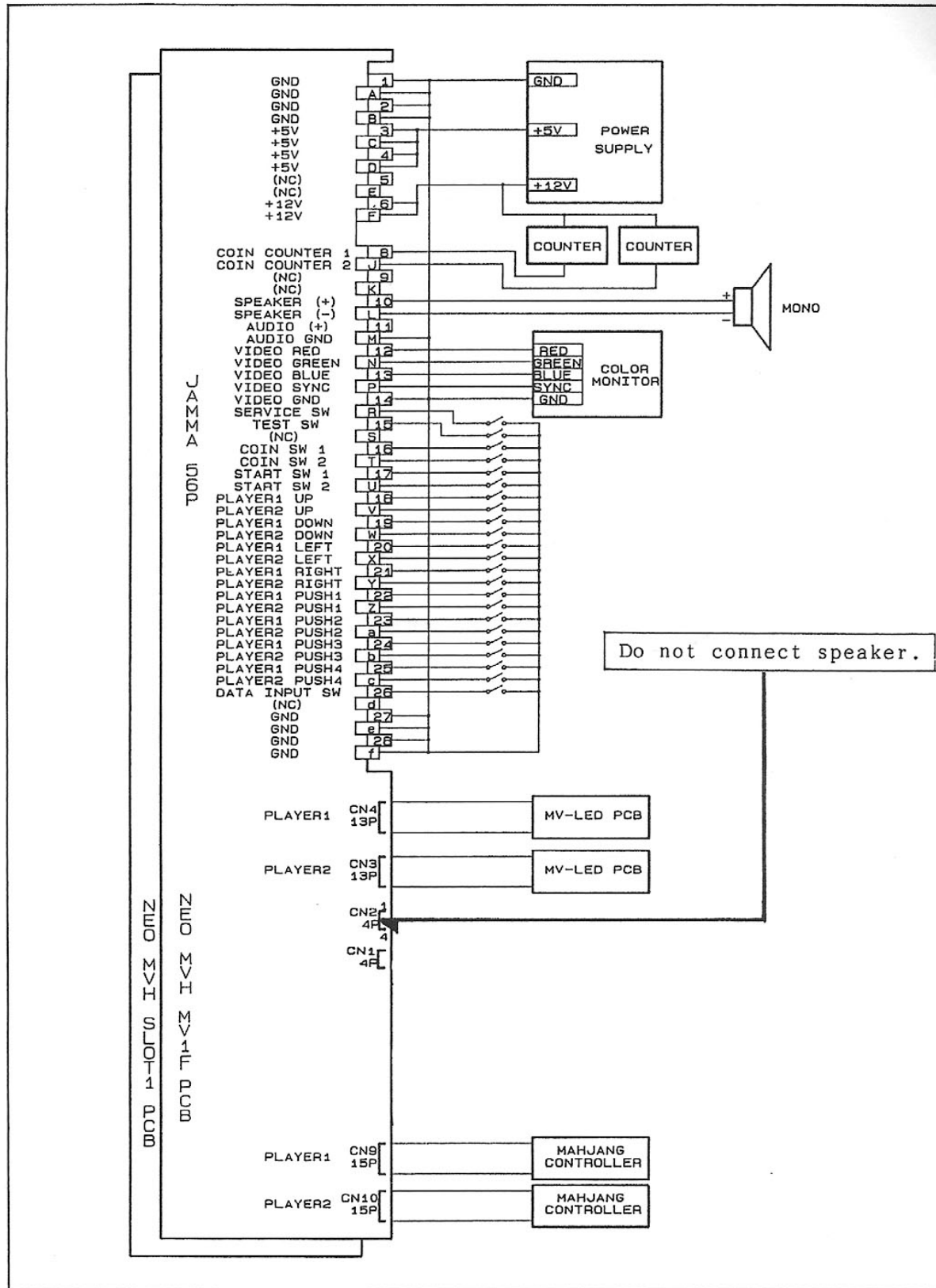
Go to next step disregarding messages

The total data of book keeping can be collected by these procedure.

○MULTI VIDEO INCOME TOTALIZATION SYSTEM (Book Keeping System)

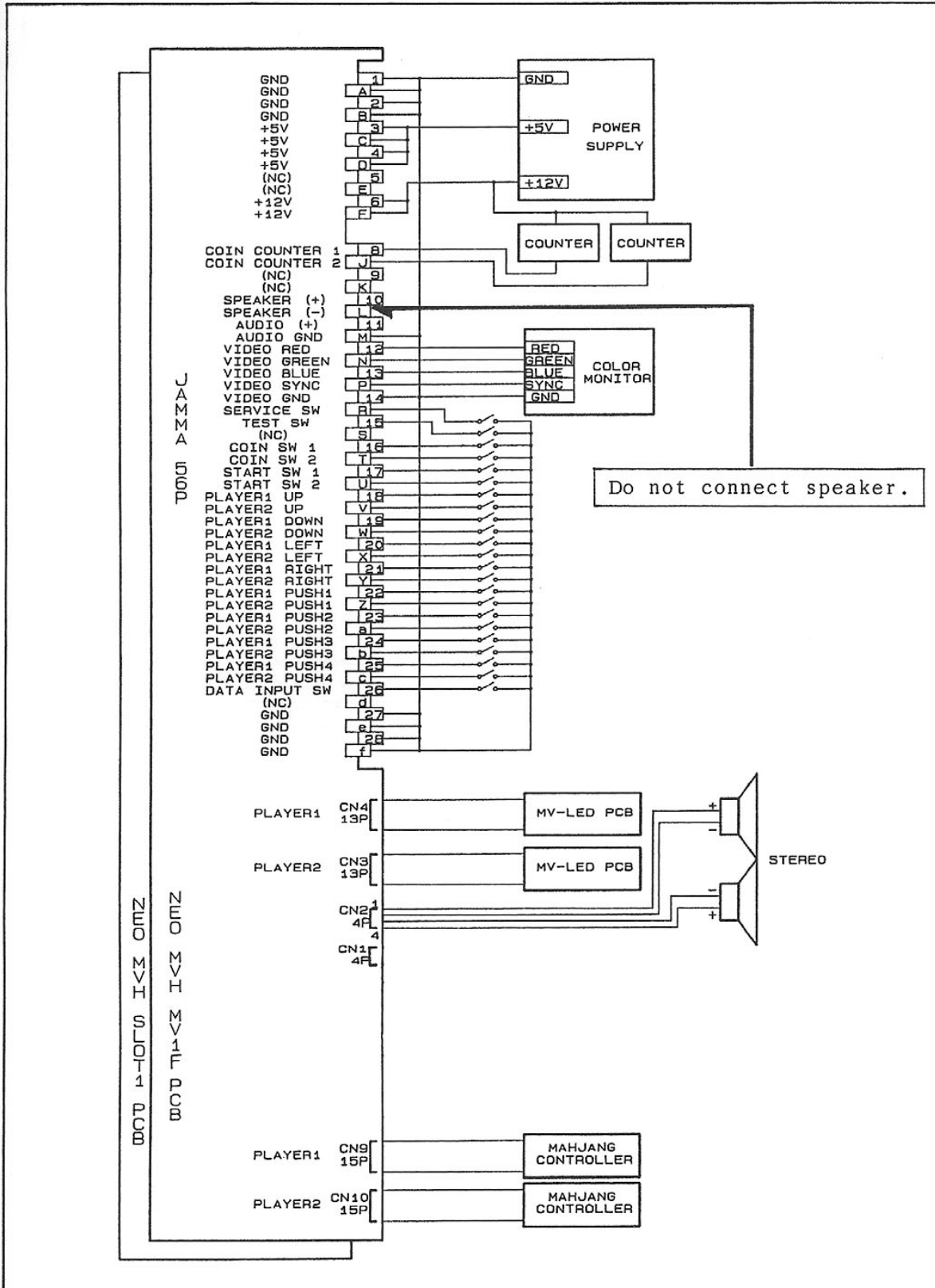
- 1) The MultiVideo System (MVS) is equipped with back-up ram and calendar IC which allows the daily income data to be saved even when the power is off.
- 2) After pressing the test button and selecting "Book Keeping" from the menu, you can view the "Income Data" on the screen.
- 3) It is easy to collect the income data by saving it on the book keeping memory card. The code number system keeps important data confidential.

WIRING DIAGRAM (MONAURAL)



Set the switch on PCB on monaural position.

WIRING DIAGRAM (STEREO)



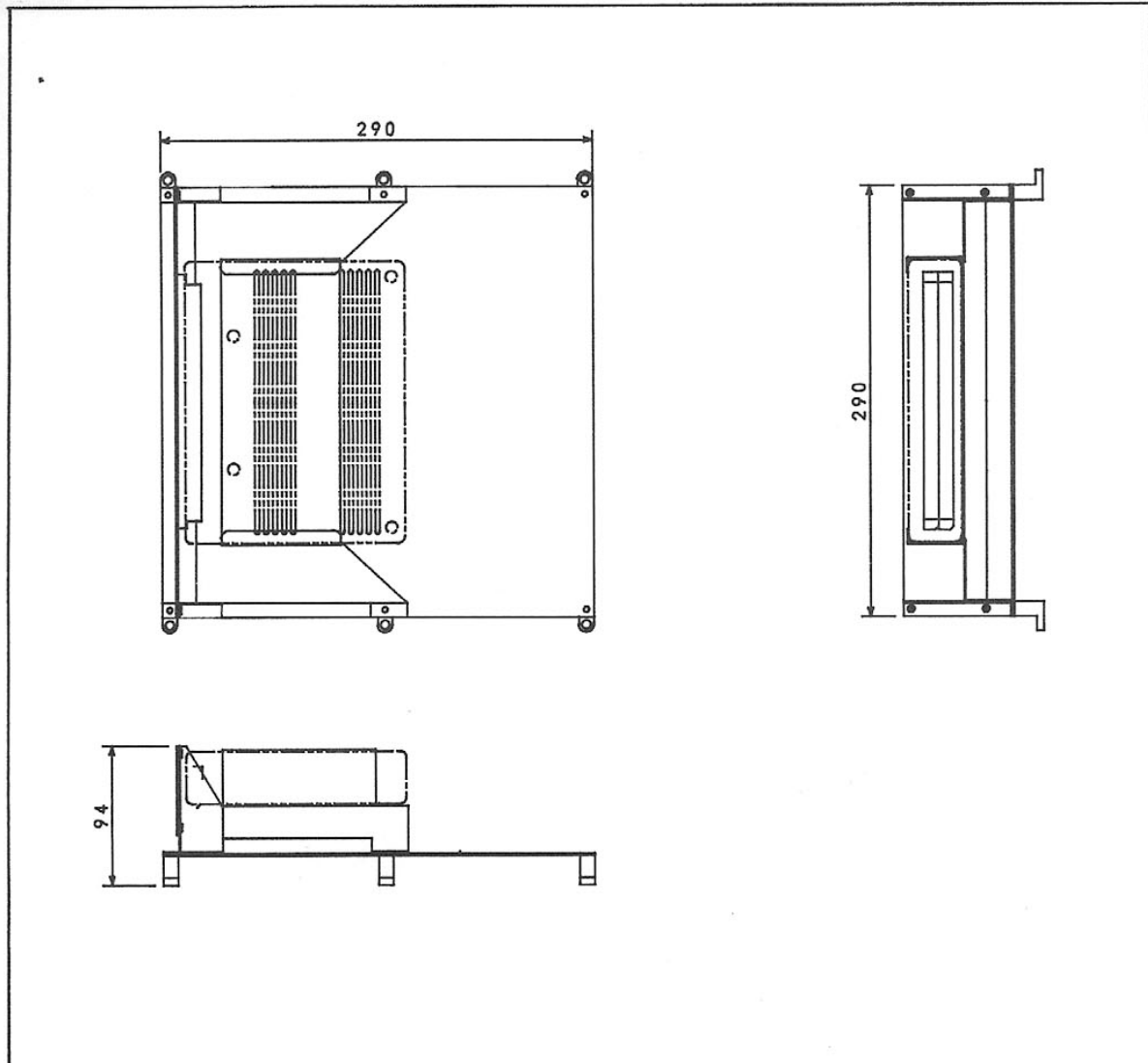
Set the switch on PCB on stereo position.

OMV 1F MAIN HARNESS

SOLDER SIDE	PIN #		PART SIDE
G N D	A	1	G N D
G N D	B	2	G N D
+ 5 V	C	3	+ 5 V
+ 5 V	D	4	+ 5 V
	E	5	
+ 1 2 V	F	6	+ 1 2 V
KEY	H	7	KEY
COIN COUNTER 2	J	8	COIN COUNTER 1
COIN LOCKOUT 2	K	9	COIN LOCKOUT 1
SPEAKER (-)	L	10	SPEAKER (+)
AUDIO (GND)	M	11	
VIDEO GREEN	N	12	VIDEO RED
VIDEO SYNC	P	13	VIDEO BLUE
SERVICE SW	R	14	VIDEO GND
	S	15	TEST SW
COIN SW 2	T	16	COIN SW 1
START SW 2	U	17	START SW 1
2 P UP	V	18	1 P UP
2 P DOWN	W	19	1 P DOWN
2 P LEFT	X	20	1 P LEFT
2 P RIGHT	Y	21	1 P RIGHT
2 P PUSH 1	Z	22	1 P PUSH 1
2 P PUSH 2	a	23	1 P PUSH 2
2 P PUSH 3	b	24	1 P PUSH 3
2 P PUSH 4	c	25	1 P PUSH 4
	d	26	
G N D	e	27	G N D
G N D	f	28	G N D

This is for monaural setting.

○PCB DIMENSION



SNK CORPORATION

18-8, TOYOTSU-CHO, SUITA-SHI, OSAKA, 564, JAPAN.

TELEPHONE : (06)338-7007 FAX : (06)338-7150 TELEX : 5236785 SNKCO J